

SCXI-1327 HIGH-VOLTAGE ATTENUATOR TERMINAL BLOCK

This guide describes how to install and use the SCXI-1327 high-voltage attenuator terminal block with the SCXI-1120 and SCXI-1121 modules.

Introduction

The SCXI-1327 high-voltage attenuator terminal block is a shielded board with screw terminals that connect to the SCXI-1120 or SCXI-1121 input connector. Each SCXI-1327 channel has a precision 100:1 resistive voltage divider that you can use to measure voltages of up to 250 V_{rms}. You can individually bypass these dividers for low-voltage measurement applications.

The terminal block has 18 screw terminals for easy connection. One pair of screw terminals connects to the SCXI-1120 or SCXI-1121 chassis ground. When used with the SCXI-1120, the remaining eight pairs of screw terminals are for signal connection to the eight module inputs. When used with the SCXI-1121, four pairs of SCXI-1327 screw terminals are for connecting signals from the four module inputs and four pairs of SCXI-1327 screw terminals are for connecting signals from the module excitation channels.

What You Need to Get Started

To set up and use your SCXI-1327 terminal block, you will need the following items:

- SCXI-1327 high-voltage attenuator terminal block
- SCXI-1327 High-Voltage Attenuator Terminal Block Installation Guide*
- SCXI chassis

- SCXI-1120 or SCXI-1121 module
- No. 1 and No. 2 Phillips-head screwdrivers
- 1/8 in. flathead screwdriver
- Long-nose pliers
- Wire cutter
- Wire insulation stripper

Safety Information



Cautions *DO NOT OPERATE THE DEVICE IN AN EXPLOSIVE ATMOSPHERE OR WHERE THERE MAY BE FLAMMABLE GASES OR FUMES.*

KEEP AWAY FROM LIVE CIRCUITS. Do not remove equipment covers or shields unless you are trained to do so. If signal wires are connected to the device, hazardous voltages may exist even when the equipment is turned off. To avoid a shock hazard, do not perform procedures involving cover or shield removal unless you are qualified to do so and disconnect all field power prior to removing covers or shields.

Equipment described in this document must be used in an Installation Category II environment per IEC 664. This category requires local level supply mains-connected installation.

DO NOT OPERATE DAMAGED EQUIPMENT. The safety protection features built into this device can become impaired if the device becomes damaged in any way. If the device is damaged, turn the device off and do not use until service-trained personnel can check its safety. If necessary, return the device to National Instruments for service and repair to ensure that its safety is not compromised.

Do not operate this equipment in a manner that contradicts the information specified in this document. Misuse of this equipment could result in a shock hazard.

Terminals are for use only with equipment that has no accessible live parts.

DO NOT SUBSTITUTE PARTS OR MODIFY EQUIPMENT. Because of the danger of introducing additional hazards, do not install unauthorized parts or modify the device. Return the device to National Instruments for service and repair to ensure that its safety features are not compromised.

When using the device with high common-mode voltages, you MUST insulate your signal wires for the highest input voltage. National Instruments is NOT liable for any damages or injuries resulting from inadequate signal wire insulation. Use

only 26-14 AWG wire with a voltage rating of 300 V and 60° C for measuring 250 to 300 V.

When connecting or disconnecting signal lines to the SCXI terminal block screw terminals, make sure the lines are powered off. Potential differences between the lines and the SCXI ground create a shock hazard while you connect the lines.

Connections, including power signals to ground and vice versa, that exceed any of the maximum signal ratings on the SCXI device can create a shock or fire hazard or can damage any or all of the boards connected to the SCXI chassis, the host computer, and the SCXI device. National Instruments is NOT LIABLE FOR ANY DAMAGES OR INJURIES resulting from incorrect signal connections.

If high voltages (≥ 30 Vrms and 42.4 V peak or 60 VDC) are present, YOU MUST CONNECT A SAFETY EARTH GROUND WIRE TO THE TERMINAL BLOCK SAFETY GROUND SOLDER LUG, shown in Figure 1. This complies with safety agency requirements and protects against electric shock when the terminal block is not connected to the chassis. To connect the safety earth ground to the safety ground solder lug, run an earth ground wire in the cable from the signal source to the terminal block. National Instruments is NOT liable for any damages or injuries resulting from inadequate safety earth ground connections.

Do not loosen or re-orient the safety ground solder lug hardware when connecting the safety ground wire; to do so reduces the safety isolation between the high voltage and safety ground.

Temperature Sensor Output and Accuracy

The SCXI-1327 temperature sensor outputs 1.91 to 0.58 V from 0° to 55° C and has an accuracy of $\pm 0.5^\circ$ C over the 15° to 35° C range and $\pm 0.9^\circ$ C over the 0° to 15° and 35° to 55° C ranges¹.

National Instruments software can convert a thermistor voltage to the thermistor temperature for the circuit diagram shown later in this guide. In LabVIEW, you can use the Convert Thermistor Reading virtual instrument (VI) in the **Data Acquisition»Signal Conditioning** palette. If you are using LabWindows/CVI or NI-DAQ, use the `Thermistor_Convert` function. The VI takes the output voltage of the temperature sensor, the reference voltage, and the precision resistance and returns the thermistor temperature.

Alternatively, you can use the following formulas:

$$T(^{\circ}\text{C}) = T_K - 273.15$$

¹ Includes the combined effects of the temperature sensor accuracy and the temperature difference between the temperature sensor and any screw terminal. The temperature sensor accuracy includes tolerances in all component values, the effects caused by temperature and loading, and self-heating.

where T_K is the temperature in Kelvin

$$T_K = \frac{1}{[a + b(\ln R_T) + c(\ln R_T)^3]}$$

$$a = 1.295361 \times 10^{-3}$$

$$b = 2.343159 \times 10^{-4}$$

$$c = 1.018703 \times 10^{-7}$$

R_T = resistance of the thermistor in ohms

$$R_T = 5,000 \left(\frac{V_{\text{TEMPOUT}}}{2.5 - V_{\text{TEMPOUT}}} \right)$$

V_{TEMPOUT} = output voltage of the temperature sensor

$$T(^{\circ}\text{F}) = \frac{[T(^{\circ}\text{C})]9}{5} + 32$$

where $T(^{\circ}\text{F})$ and $T(^{\circ}\text{C})$ are the temperature readings in degrees Fahrenheit and degrees Celsius, respectively.



Note

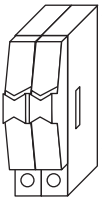
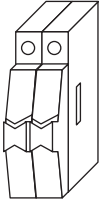
Use an average of a large number of samples to obtain the most accurate reading. Noisy environments require more samples for greater accuracy.

High-Voltage Attenuator Configuration

Each channel has a 100:1 high-voltage attenuator that you can enable or disable by changing switch settings as shown in Table 1. Each channel requires two switches that must be in the same position for the attenuator to operate correctly. The switches are behind their corresponding terminals.

- Set both switches to the 100:1 position to attenuate the appropriate channel. This setting places a precision 100:1 divider in the circuit to divide the voltage by 100 before the voltage enters the module.
- Set both switches to the 1:1 position to bypass the attenuator of the appropriate channel. This setting removes the 100:1 divider from the input stage.

Table 1. SCXI-1327 High-Voltage Attenuator Configuration

Switch Position	Description
	Bypasses the attenuator for a specific channel.
	Enables the attenuator for a specific channel. Factory setting.

**Note**

For correct operation with the SCXI-1121 module, you must disable the attenuators on the excitation channels.

Signal Connection

**Note**

Refer to the Safety Information section before removing equipment covers or connecting or disconnecting any signal wires.

When connecting your signals to the SCXI-1327, follow the labeling on the SCXI-1327 for the appropriate module, as indicated in Figure 2.

To connect the signal to the terminal block, perform the following steps, referring to Figures 1 and 2 as necessary:

1. Unscrew the top cover screws and remove the cover.
2. Loosen the strain-relief screws and remove the strain-relief bar.
3. Run the signal wires through the strain-relief opening. You can add insulation or padding if necessary.
4. Prepare your signal wire by stripping the insulation no more than 7 mm.
5. Connect the wires to the screw terminals by inserting the stripped end of the wire fully into the terminal. No bare wire should extend past the screw terminal. Exposed wire increases the risk of shorting and causing a failure.
6. Tighten the screws to a torque of 5–7 in.-lb.

7. Connect safety earth ground to the safety ground solder lug. Refer to the *Safety Information* section for connection information.
8. Reinstall the strain-relief bar and tighten the strain-relief screws.
9. Reinstall the top cover and tighten the top cover screws.
10. Connect the terminal block to the module front connector as explained in the *Installation* section later in this guide.

Figure 1 shows the SCXI-1327 terminal block parts locator diagram.

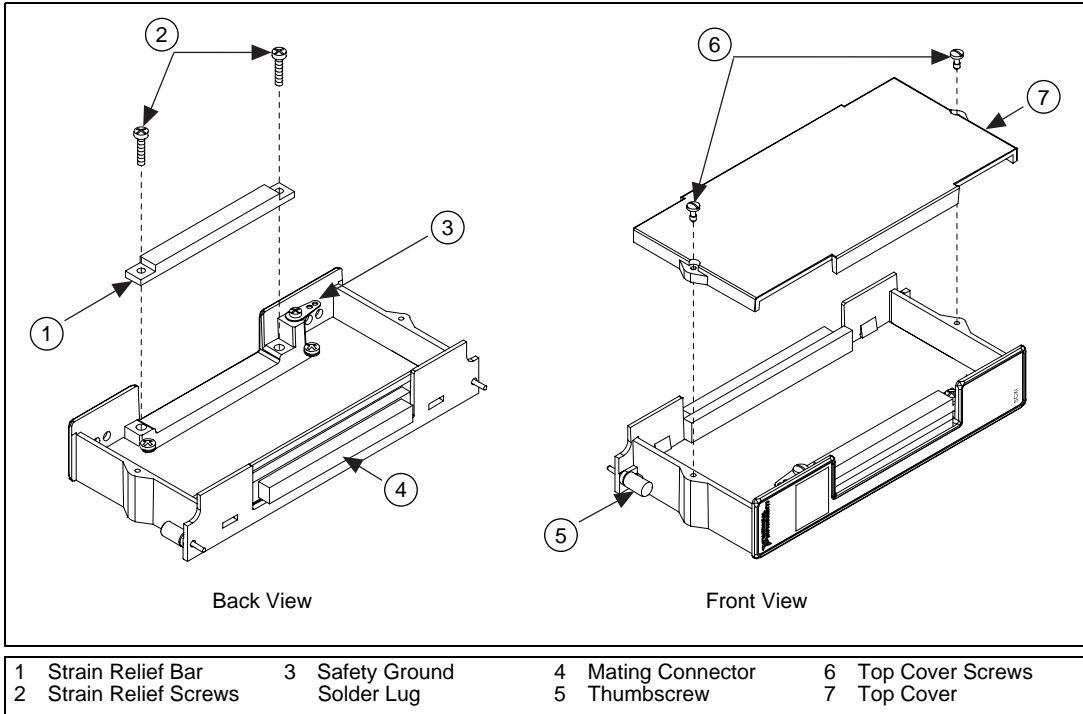


Figure 1. SCXI-1327 Parts Locator Diagram

Figure 2 shows the SCXI-1327 signal connections.

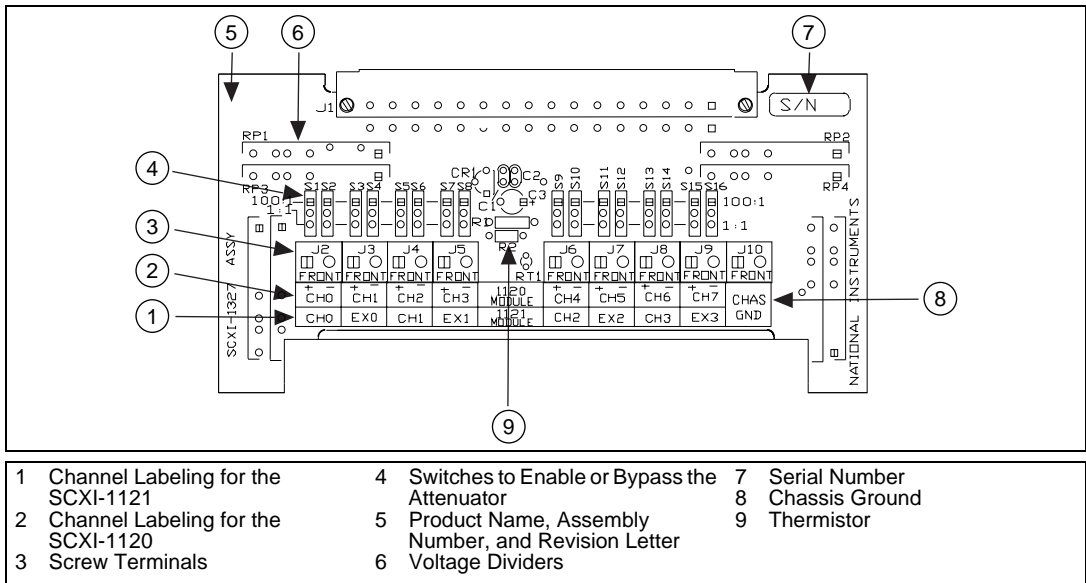


Figure 2. SCXI-1327 Signal Connections

Installation

To connect the terminal block to the SCXI module front connector, perform the following steps:

1. Connect the module front connector to its mating connector on the terminal block.
2. Tighten the top and bottom thumbscrews on the back of the terminal block to hold it securely in place.



Note

For accurate cold-junction compensation, place the SCXI chassis away from an extreme temperature differential.

Cleaning the Terminal Block

Clean the terminal block by brushing off light dust with a soft, nonmetallic brush. Remove other contaminants with deionized water and a stiff nonmetallic brush. The unit must be completely dry and free from contaminants before returning to service.

Specifications

All specifications are typical at 25° C unless otherwise specified.

Cold-junction sensor

Accuracy ¹	0.5° from 15° to 35° C
	0.9° from 0° to 15° and 35° to 55° C
Repeatability	0.2° from 15° to 35° C
Output	1.91 to 0.58 V from 0° to 55° C

High-voltage divider

Accuracy	0.06%
Drift	15 ppm/° C
Maximum voltage between any terminals or to earth	250 Vrms
Resistance	1 MΩ

Temperature Sensor Circuit Diagram

You do not need to read this section to operate the SCXI-1327. The circuit diagram in Figure 3 is optional information that you can use if you want more details about the SCXI-1327 temperature sensor.

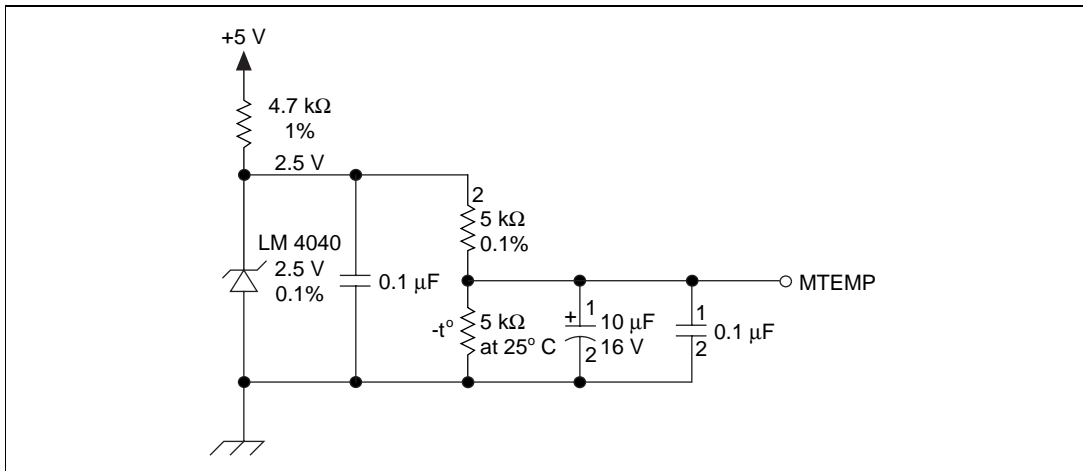


Figure 3. Temperature Sensor Circuit Diagram

¹ The temperature sensor accuracy includes tolerances in all component values, effects caused by temperature and loading, and self-heating. Errors caused by temperature gradients between terminals and the sensor are not included in this specification.

